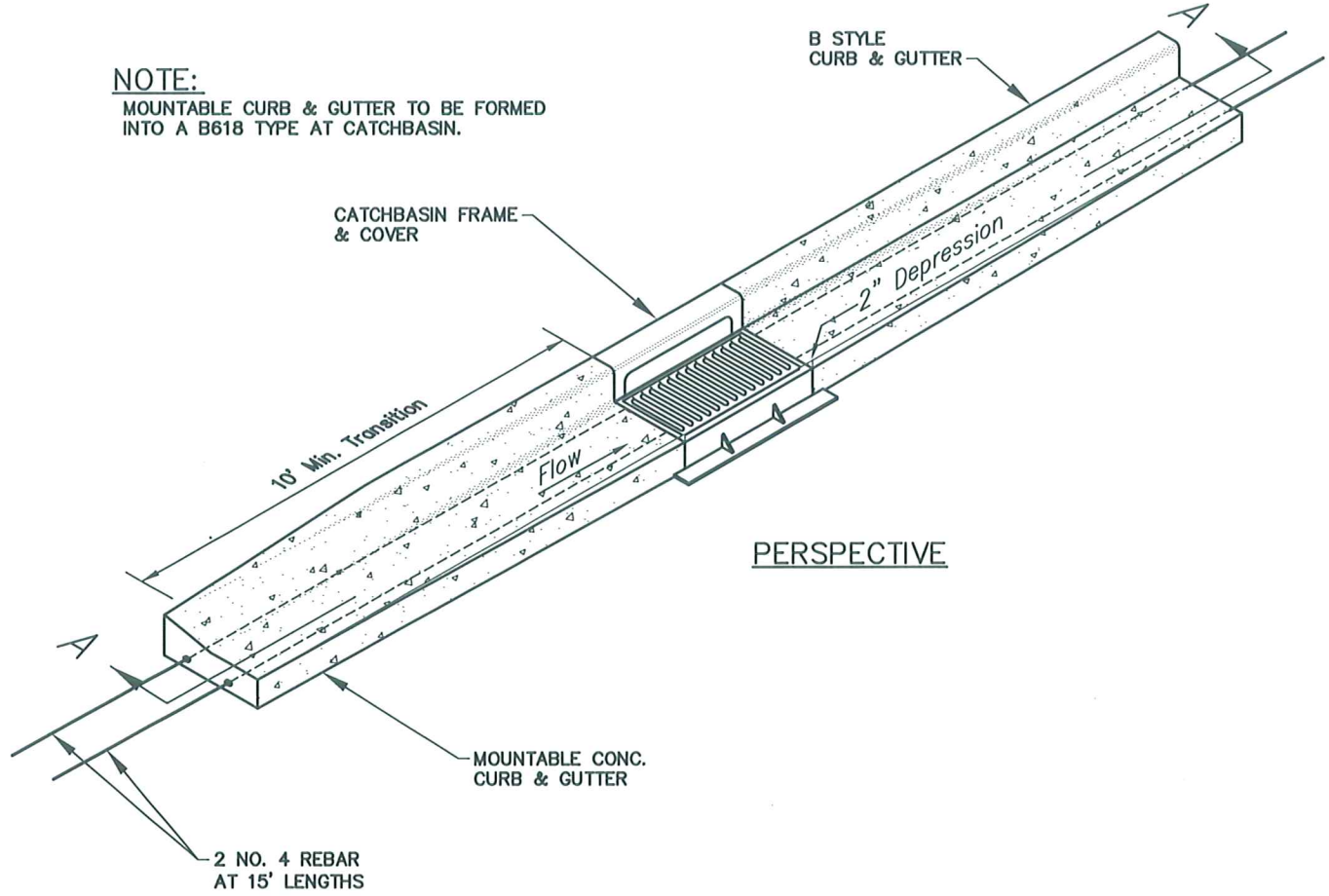
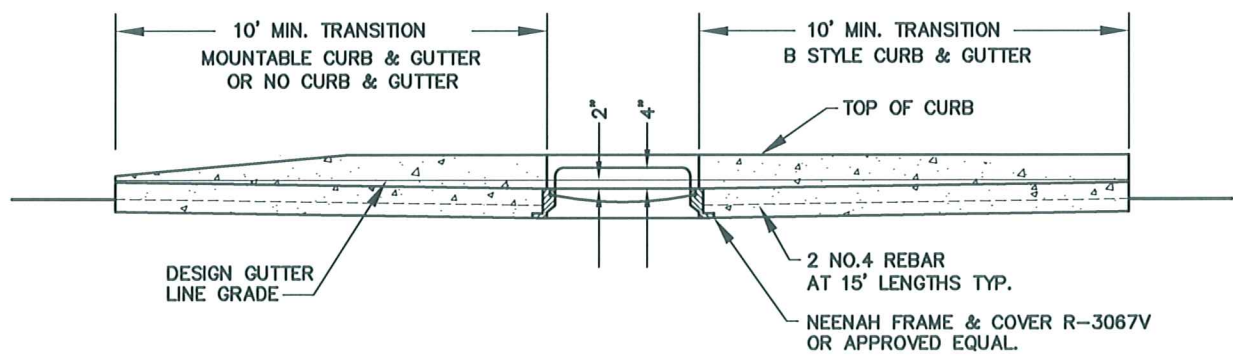


NOTE:
MOUNTABLE CURB & GUTTER TO BE FORMED INTO A B618 TYPE AT CATCHBASIN.



PERSPECTIVE



SECTION A-A



**CITY OF EDINA
ENGINEERING
& PUBLIC
WORKS
DEPTS.**

B618 CURB & GUTTER TRANSITION

Wayne Haul
APPROVED: CITY ENGINEER

REVISED:
04-09
STANDARD
PLATE
505